

Product selected: SHP-TS 600W GroLux

Tubular, clear high pressure sodium lamps with improved characteristics and performance, especially developed for supplementary lighting in greenhouses.

Applications

- Horticultural lighting
- Supplementary lighting in greenhouses

Features

- Extreme high light output
- Improved quality of light : Increased red and blue light output
- 10% higher photosynthesis flux when compared to SHP Super
- High PAR radiation

Directions for use

- Universal burning
- Open fixture rating
- External ignitor : Restricted to super imposed ignitor for 600W

Product Attributes

Item description	SHP-TS 600W GroLux
Ordering Code	0020808
EAN code	5410288208084
Packing Quantity	12
Wattage (W)	615
Voltage (V)	125
Cap	E40
Max. Over. Length (mm)	292
Diameter (mm)	48
Light output (lm)	90000
Current (A)	5.5
Colour Temp (K)	2050

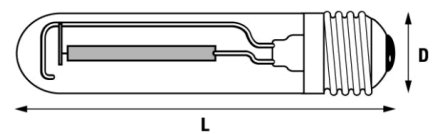
Product Image



Fixture Rating



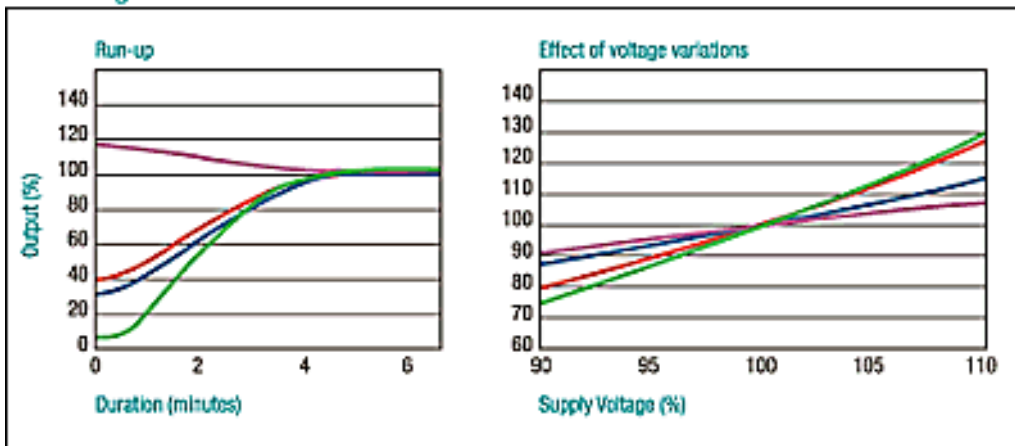
Line Drawing



Spectral Diagram

Run-up Characteristics

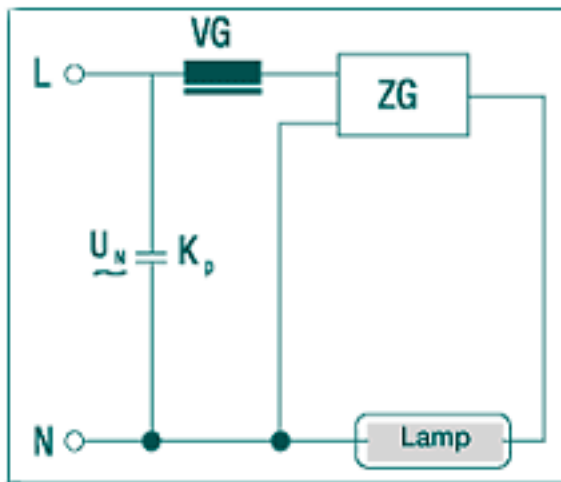
High Pressure Sodium



Re-start time when hot
 Twinarc, SBY: Immediate re-start
 Standard, Super & MF: up to 1 minute

- Lamp Voltage
- Lamp Current
- Lamp Power
- Luminous Flux

Circuit Diagram



- L Live conductor L₁, L₂, L₃
- N Neutral conductor
- U_N power supply voltage 230V~
(400V~ for HSI-T 2000V)
- VG ballast
- K_p lead capacitor
- ZG start-up system
- K_z start-up capacitor
- ST stray field transformer
- CWA constant wattage autotransformer